

TANKO[®] RT

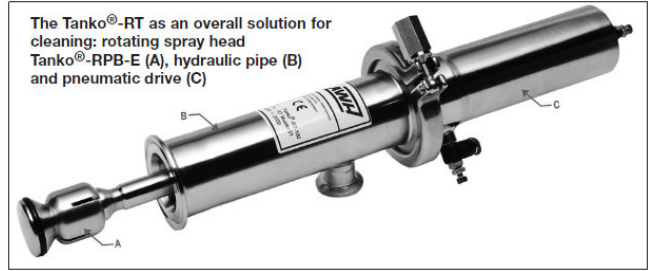
The Tanko[®] RT is the answer to reach those difficult areas created by internal equipment, baffles etc located in vessels.

This is ideal when used in conjunction with other jet cleaners or rotating heads.

The Tanko[®] RT sits externally with the spray head flush with the internal wall. The spray head is extended into the vessel by the pressure of the cleaning media and then retracts on completion of cleaning process.

Uniquely a variety of flow rates are available.

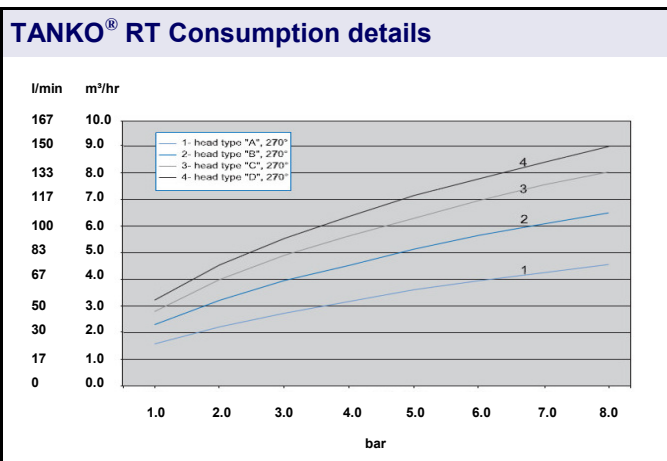
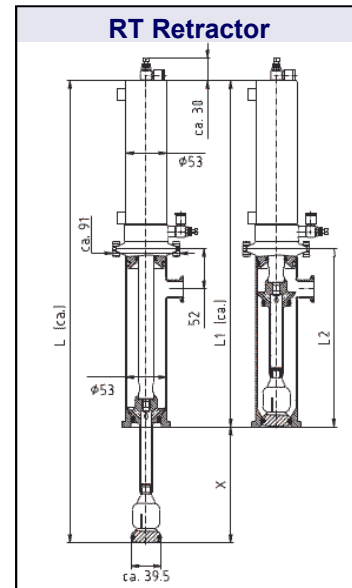
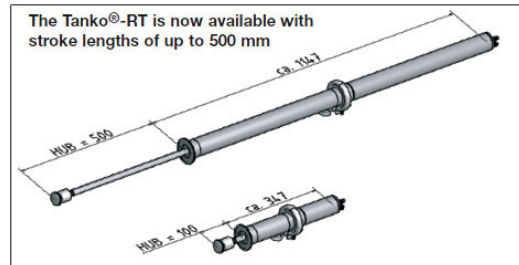
Additionally the Tanko[®] RT can be installed where a smooth internal wall is required during processes. Applications include duct work and process vessels including spray drying towers.



Typical Applications

- ⇒ Ducting
- ⇒ Process tanks
- ⇒ Combination fitting for larger tanks / areas
- ⇒ Where smooth internal walls are required when CIP is not in action

TANKO [®] RT Specification	
Type of cleaning	surge cleaning
Coverage	270°
Mode of drive	cleaning media driven
Installation Position	freely selectable
Max rec. cleaning diam.	Depends upon cleaning head & pressure
Operating pressure	1 - 8 bar
Max. working temp (cleaning media)	140°C
Max. ambient temp (inside tank)	150°C
Max. ambient temp (outside tank)	60°C



FOR THE FULL SPECIFICATION REFER TO AWH CATALOGUE PAGES 64-69

Refer to the AWH Catalogue connection on ICS web site -
for further information and the full CIP / tank cleaning experience
www.ics industrialservices.co.uk

Manufactured by



Supplied by

