

# SC30TA

Scanjet tank cleaning equipment



## Product Summary

The **SC 30TA** is the first single nozzle aseptically designed programmable tank cleaning machine suited to large tank installations.

The unit is internally and externally polished to end user specification and can also be delivered with alcohol cofferdams between the drive unit and tank atmosphere.

The single nozzle design delivers a solid and powerful jet with an optimized cleaning result on all tank surfaces. It comprises a unique separated turning and lifting moment with a rapid manual overdrive for sector cleaning setting.

## Quality Control, Compliances & Certificates

The **SC 30TA** is produced in accordance with ISO 9001 Quality Standards and our certificate of conformity and accreditation is available upon request.

Additionally, the **SC 30TA** conforms to United States ASME standards for construction and other... available upon request

## Typical applications for the SC 30TA

- Large process vessels and reactors
- Large storage tanks
- Large transportation tanks
- Juice tanks
- Beverage tanks

## KEY FEATURES

### SC30TA

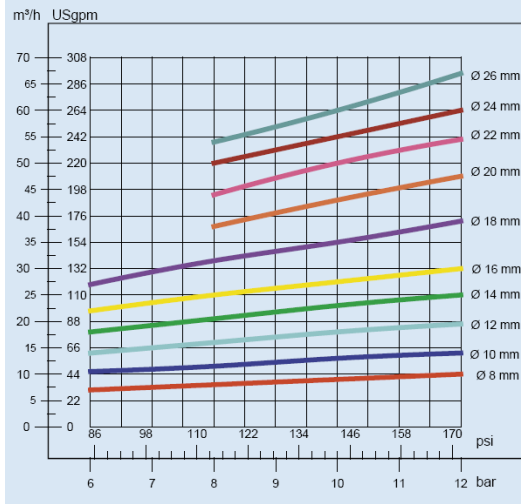
- Aseptic
- Internally and externally polished to 0.8micron
- Alcohol filled cofferdam available

## SC 30TA

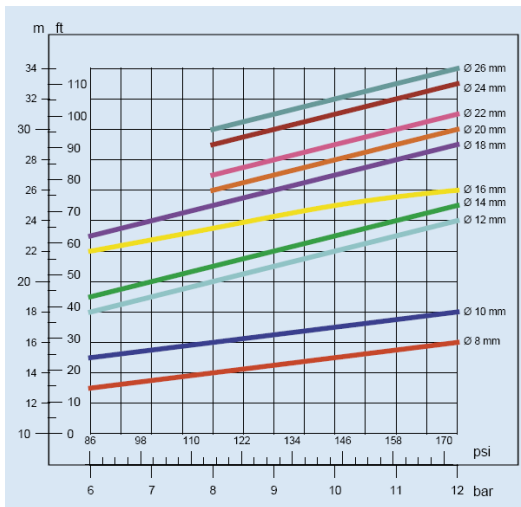


# SC 30TA

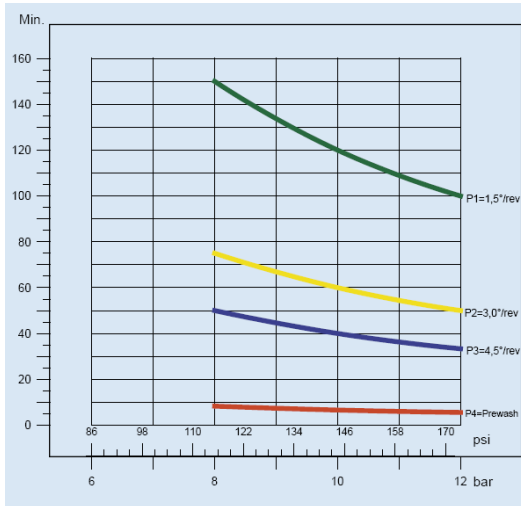
## TECHNICAL PERFORMANCE



Pressure/flow

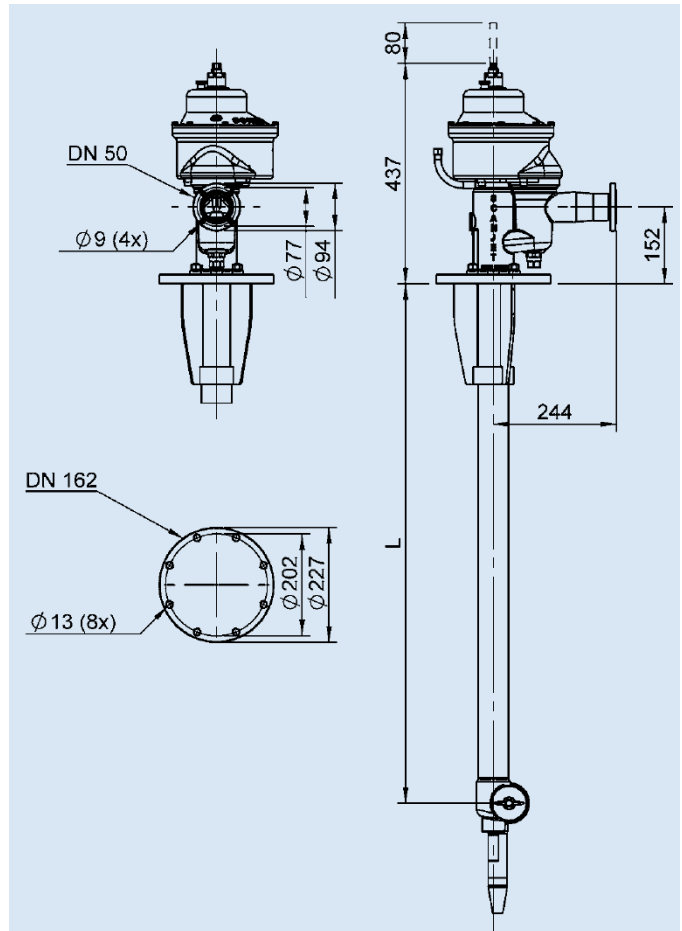


Jet length



Pattern Time

## DIMENSIONS



## Specification

Flow		8-50 m <sup>3</sup> /hr
Pressure	inlet	6-12 bar
	maximum	14 bar
	recommend	8 bar
Temperature	Max. working	95°C
Rotation speed		1-51.6rpm
Standard length		1000 mm
Weight		43 Kg
	Per additional mtr of main pipe	10 kg
Tank connection		DN 162
		DIN-11864-BF-A41*1.5-N,4404
Inlet connection		DN 50
		DIN-11864-BF-A41*1.5-N-1,4404
Material		AISI 316, PTFE, Viton
Lubrication		Cleaning fluid